

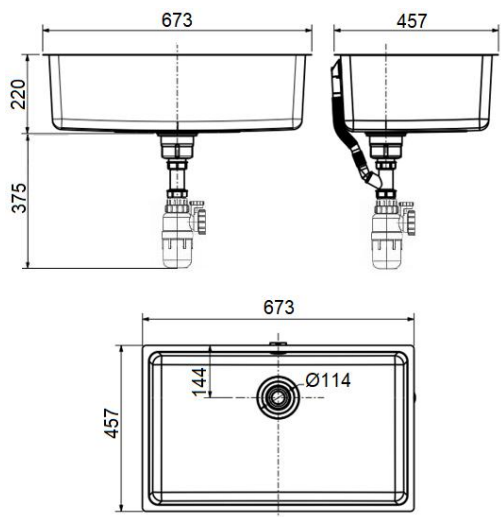




| | | | | | | |
|----------|--|------|--|-----|-----------|--|
| PROJECT | | REF | | REV | ITEM CODE | |
| LOCATION | | DATE | | | PAGE | |

SANITARY WARE SPECIFICATION SHEET

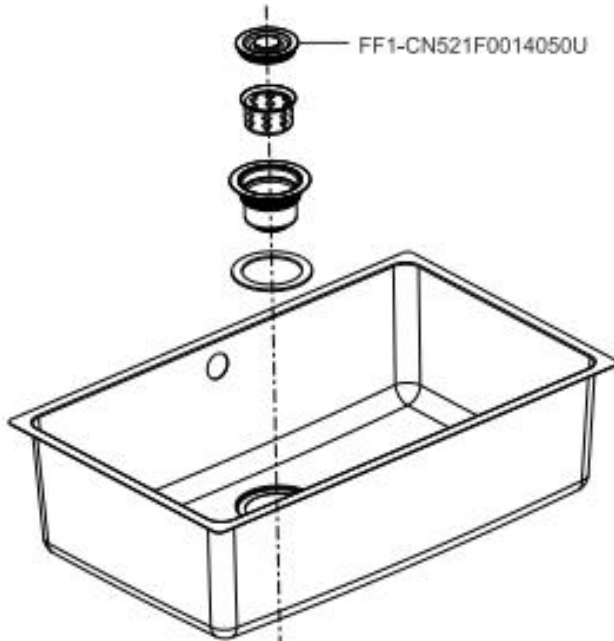
| Item Descriptions | American Standard (PRC) Stainless steel in grade 304 one-bowl undercounter sink | Illustration/ Drawing |
|--|---|---|
| Dimensions | L673 x W457 x H220 mm (Bowl) |    |
| Model | 101373MS00 | |
| Material | Stainless Steel 304 | |
| Finish | Satin | |
| Manufacturer | American Standard (PRC) | |
| Source | Acme Sanitary Ware Co. Ltd Mr. Eric Wong/ Mr. Don Yuen | |
| Contact Tel/Fax | (852) 2388-7171 / (852) 2710-8012 | |
| E-mail | acme@acmesanitary.com.hk | |
| Website | www.acmesanitary.com.hk | |
| <p><u>Detail specifications</u></p> <ul style="list-style-type: none"> Under Counter Design One-bowl Sink High Quality SUS304 Stainless Steel Strong Ability for Anti-corrosion and Anti-oxidation High-end satin finish / Deep flap design Rearward- waste design Capacity (to overflow): 38L With SUS304 drain and PP Material Waste SUS304 sheet thickness 1.2mm With box packaging / Product weight: 5.6 kg Standards Criteria: Q/ASJM 004-2023 | | |

Note: Bottle trap is excluded.

* All information of the above is for the reference only. No prior notice is made if any changes.



SANITARY WARE SPECIFICATION SHEET

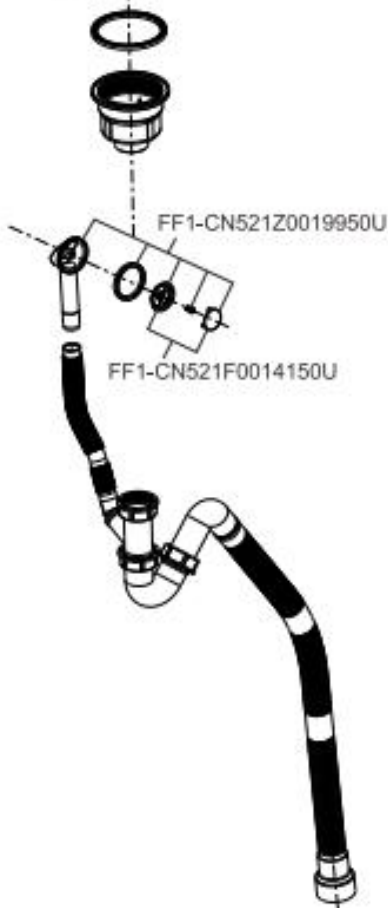


FF1-CN521F0014050U



1010-1

Compatible with 1/2" anti-siphonic bottle trap
(Bottle trap shall be bought seperately)



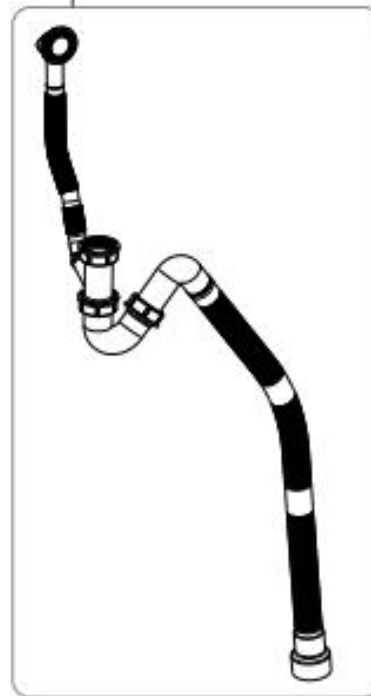
FF1-CN521Z0019950U

FF1-CN521F0014150U

FF1-CN521Z0019850U



FF1-CN521T0009099U



Note: Bottle trap is excluded.